

Dash Cam

Online Video Telematic Solution

1. CarEye

- a. Introduction
- b. Features
- c. Wiring
- d. Installation

2. DashCamLive

- a. Introduction
- b. Features
- c. Wiring
- d. Installation

3. Mappls Features

- a. UI

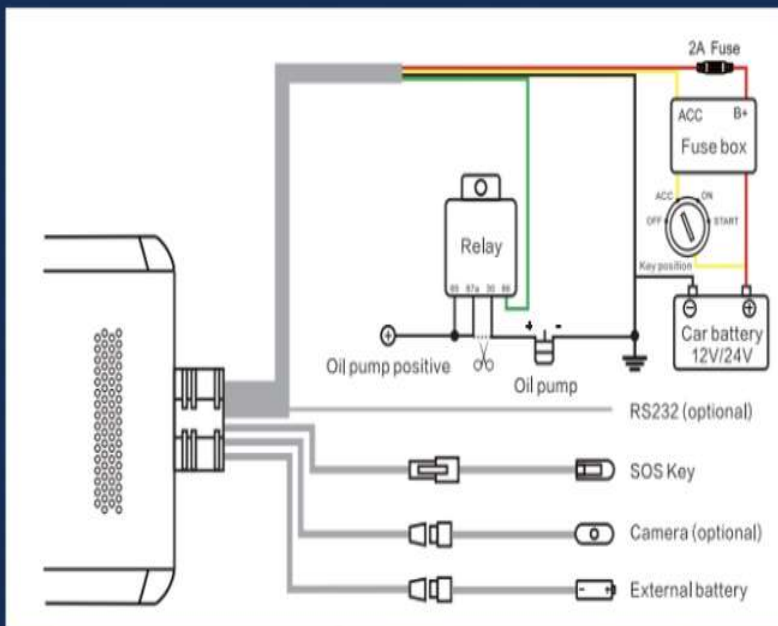
4. FAQ:



The updated windshield-mounted, cloud-capable EdgeCam 2 exhibits wholly-integrated design, where the 1080P front camera records everything on the road and the 720P built-in inward-facing sub-camera captures what happens in the cabin. The 4G dashcam enables you to get a complete view of the situation in case of an accident or emergency, day in and day out.

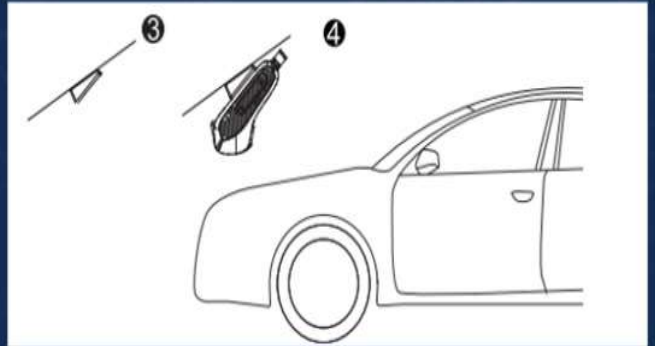
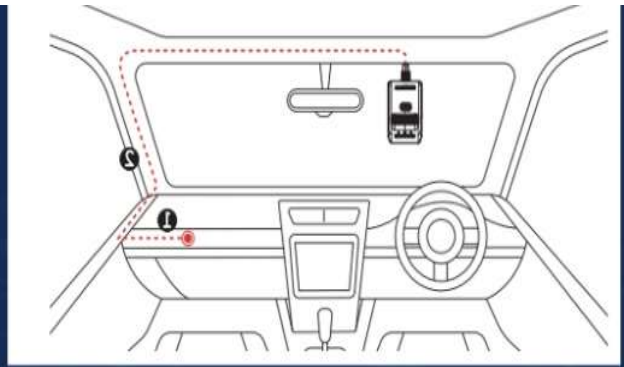


- Support Live Streaming
- Event Video Auto upload on Server and memory Card.
- Support 4G Cellular network connection.
- Supported Events
 - SOS
 - Harsh Acceleration
 - Harsh Braking
 - Rash Turing
 - Crash
 - Vibration



Cable	Definition	Color	Usage
Power	B+	Red	To battery positive (9~30V), power input
	GND	Black	To battery negative, power input
	ACC	Yellow	To ACC ON/Positive (9~30V), power input
	Relay	Green	To relay for remote power and fuel cutoff
RS232 (optional)	I/O	/	To peripherals, such as oil sensor, card reader, etc.
SOS	SOS	/	To the external SOS key
Camera (optional)	Remote camera	/	Monitor the cabin
Battery	External battery	/	To provide 450mAh backup battery for the device to protect it against power outage resulted from sudden power disconnection.

1. Connect the power cable of the device to B+, ACC, and GND of the fuse box on the vehicle. 1 is a reference position.
2. Route the power cable along the A pillar of the vehicle to the upper center of the front windshield. The red dashed line (2) in the figure is for reference.
3. Select a proper installation position and wipe the position clean. Remove the protective film from the 3M tape of the mounting base and attach it to the position. Wait for 2 hours before proceeding to the next step. See 3 for reference.
4. Mount the device to the base and connect its power cable correctly (see 4 for reference). Then fasten the cable securely.



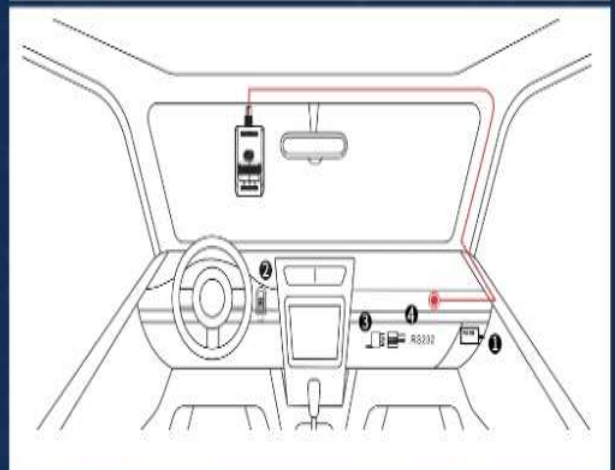
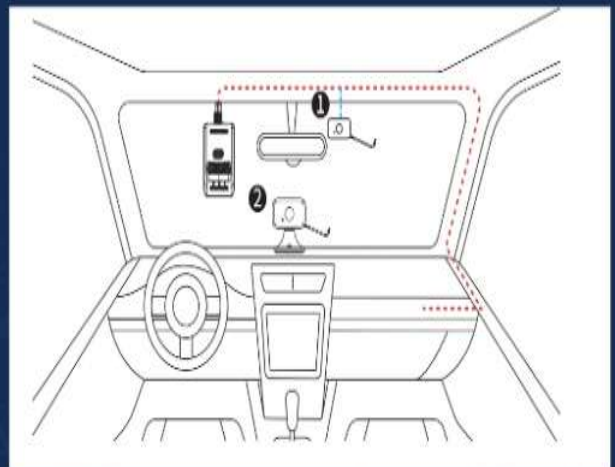
Its AiVision Cam is the top rated integrated Video Telematics Dashcam solution for fleets. Using DMS technology enabled with dashcam, you can capture what matters, coach your drivers, mitigate risk, defend against fraudulent insurance claims and protect your business' reputation.



- Support all CarEye events
- DMS Events
 - Smoking
 - Yawning
 - Distraction
 - Eye Close
 - Phone Call Alert
 - No Face Found

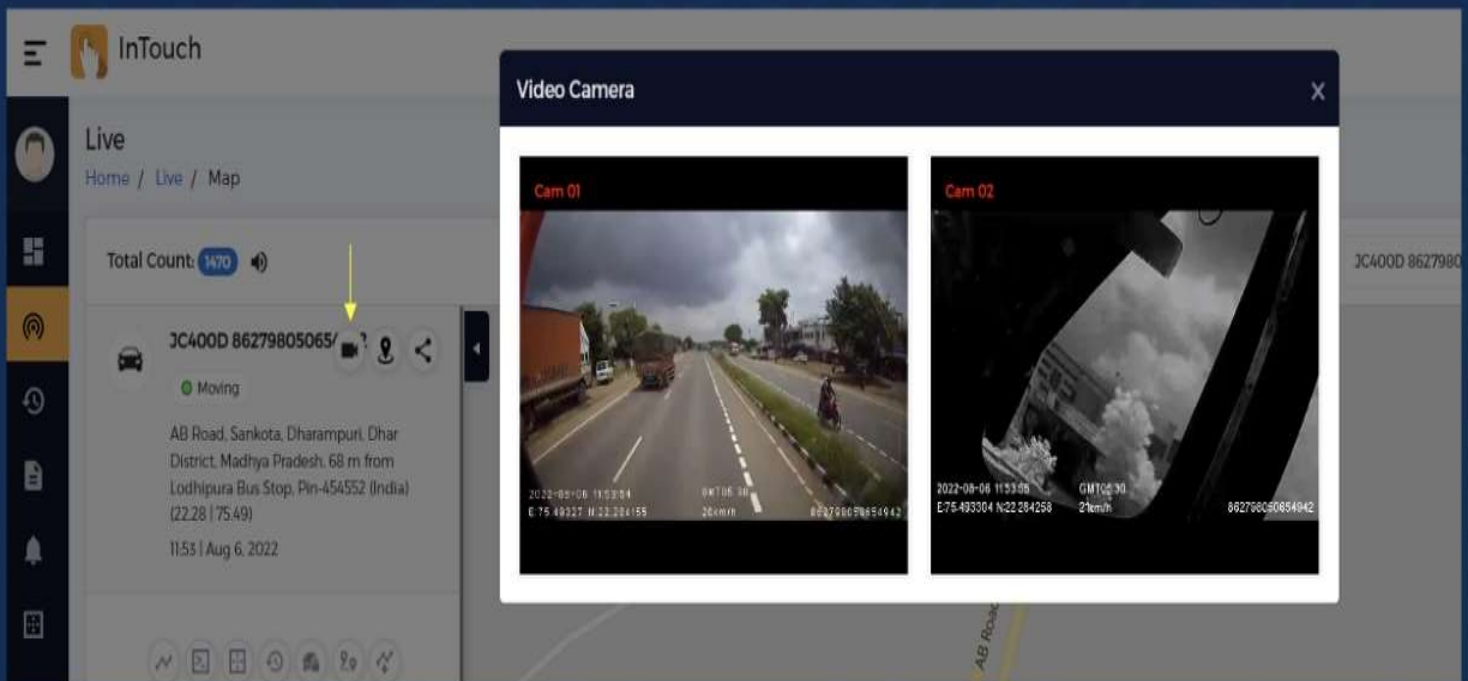


1. Face the camera inward and install it to the windshield behind the rear-view mirror (as shown in 1) or to the middle of the dashboard (as shown in 2). Wipe a selected position clean, remove the protective film from the 3M tape, and attach the device.
2. Use the supplied screwdriver to tighten the screw of the camera, so it keeps at the best angle. Connect the cables correctly and fasten them securely.

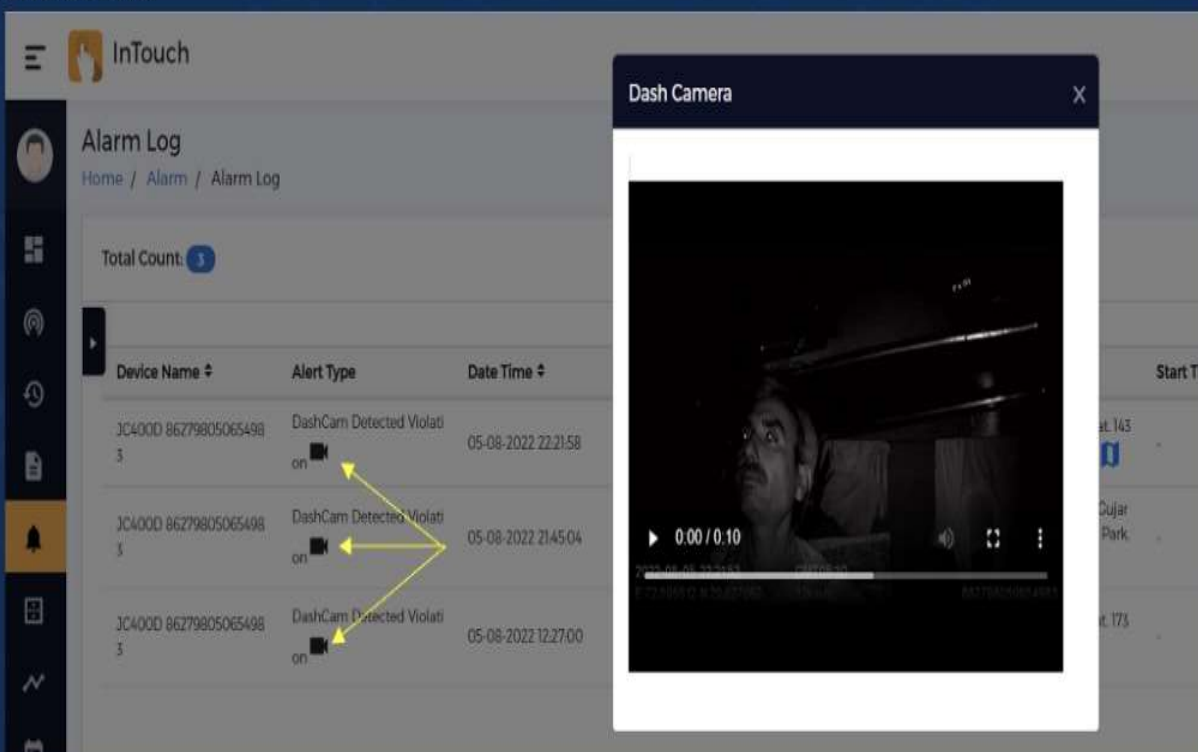


Step 1: Click on Camera Icon on live View.

Step 2: Camera preview will appear. It may take upto a minute.



To View and download the Event video file, go to the alarm logs and click on video button to view the event.





Live streaming button

Live streaming button

Live streaming Refresh button



Road-Side Camera View

Full Screen button

Camera Switch button

Operating Camera



Inside-Side Camera View

Thank You

For Any other query please let us Know!!!